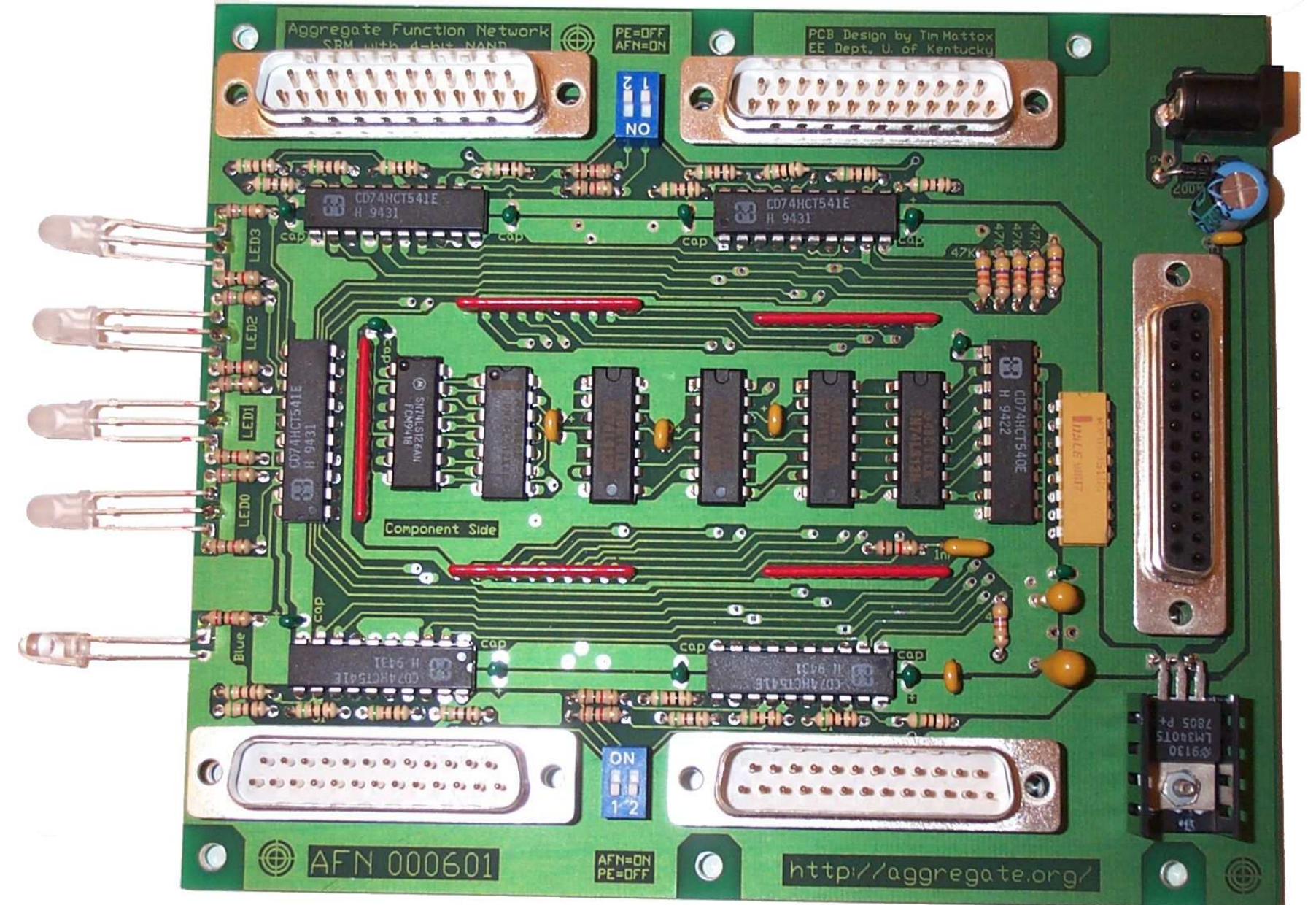
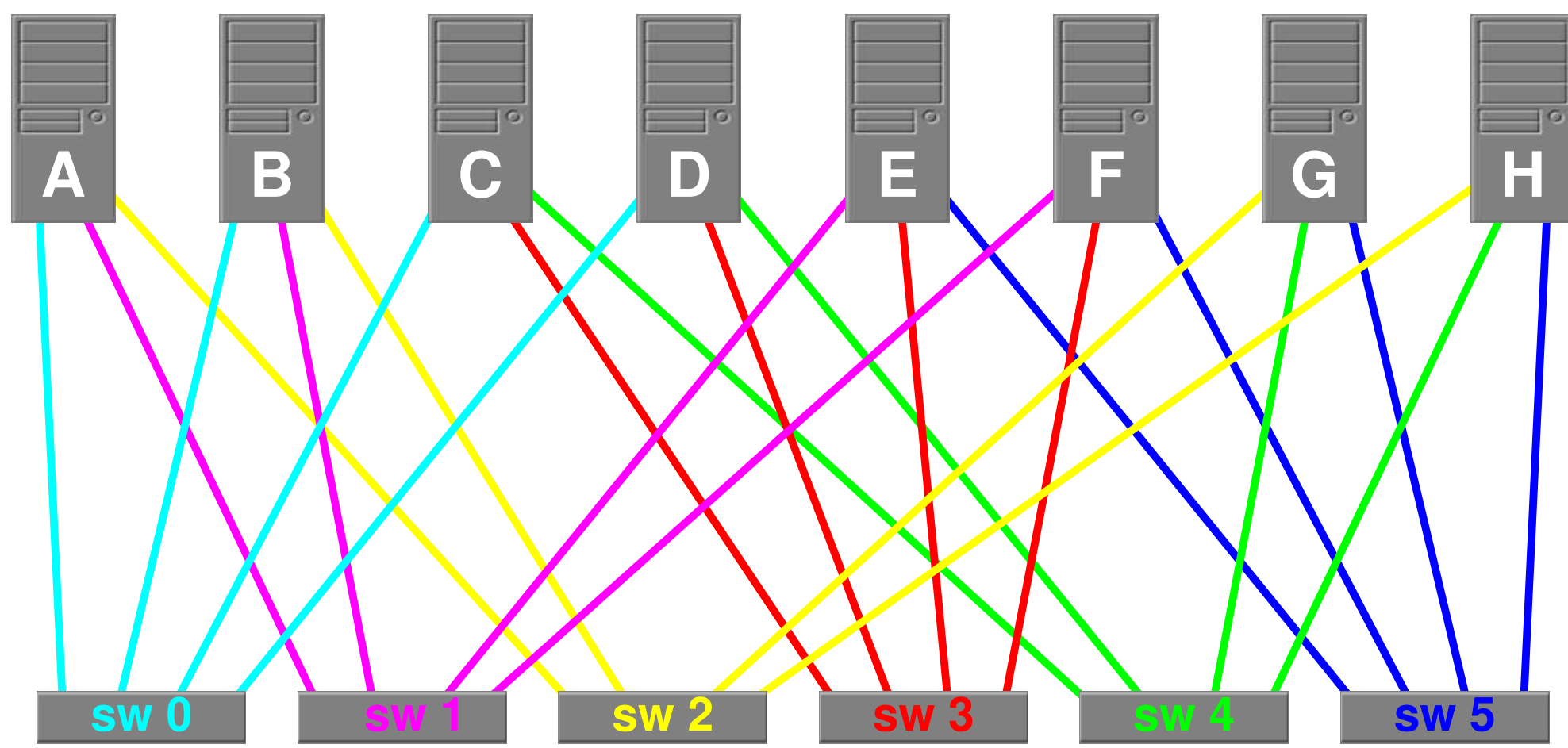
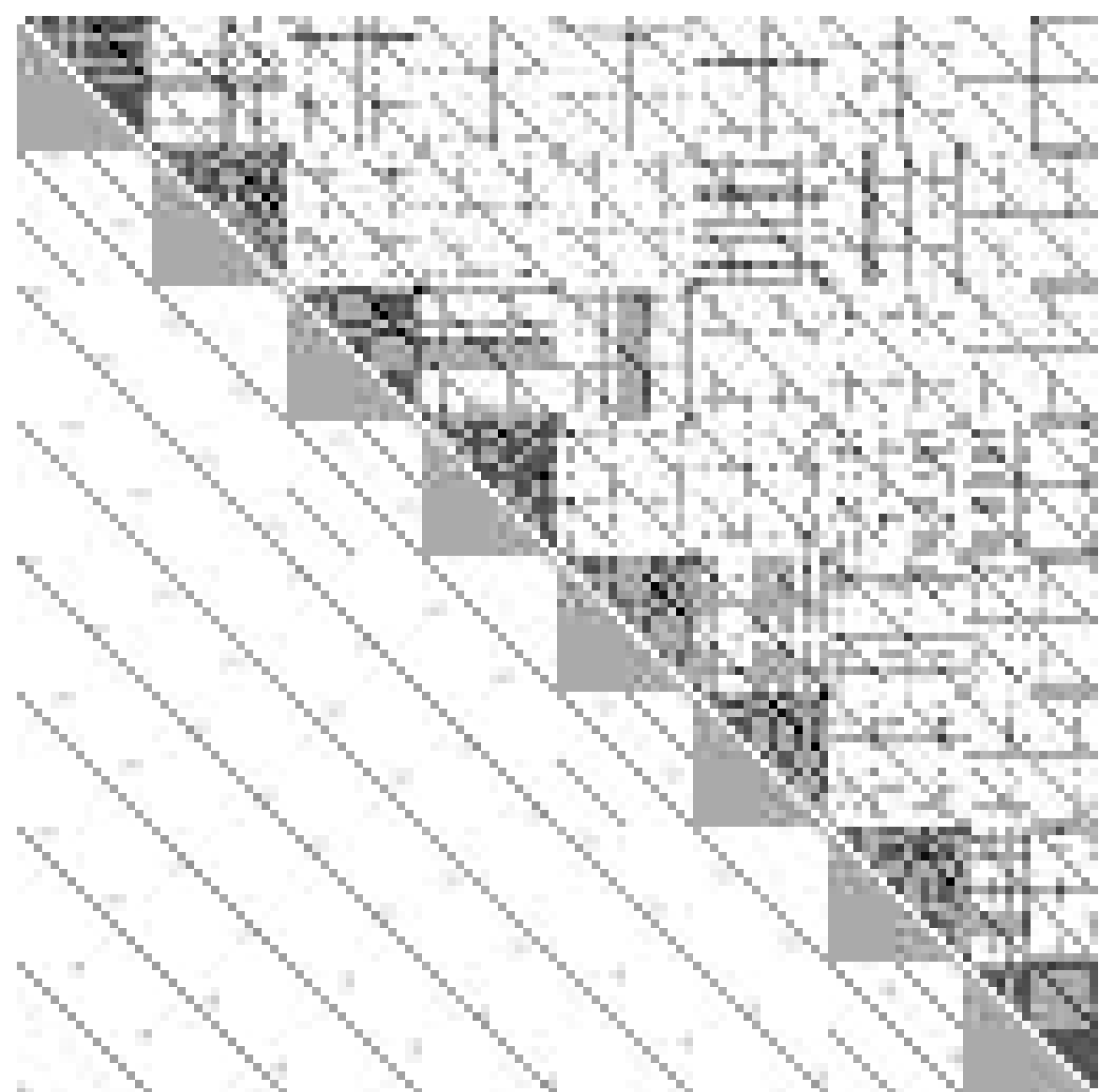
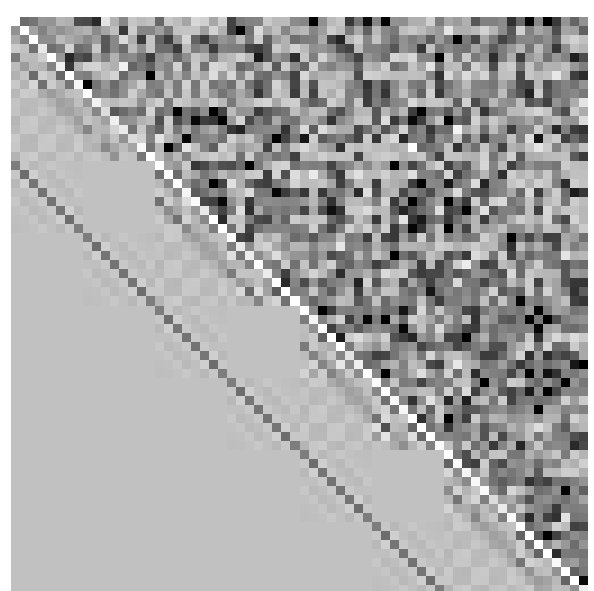


Cluster Networks:

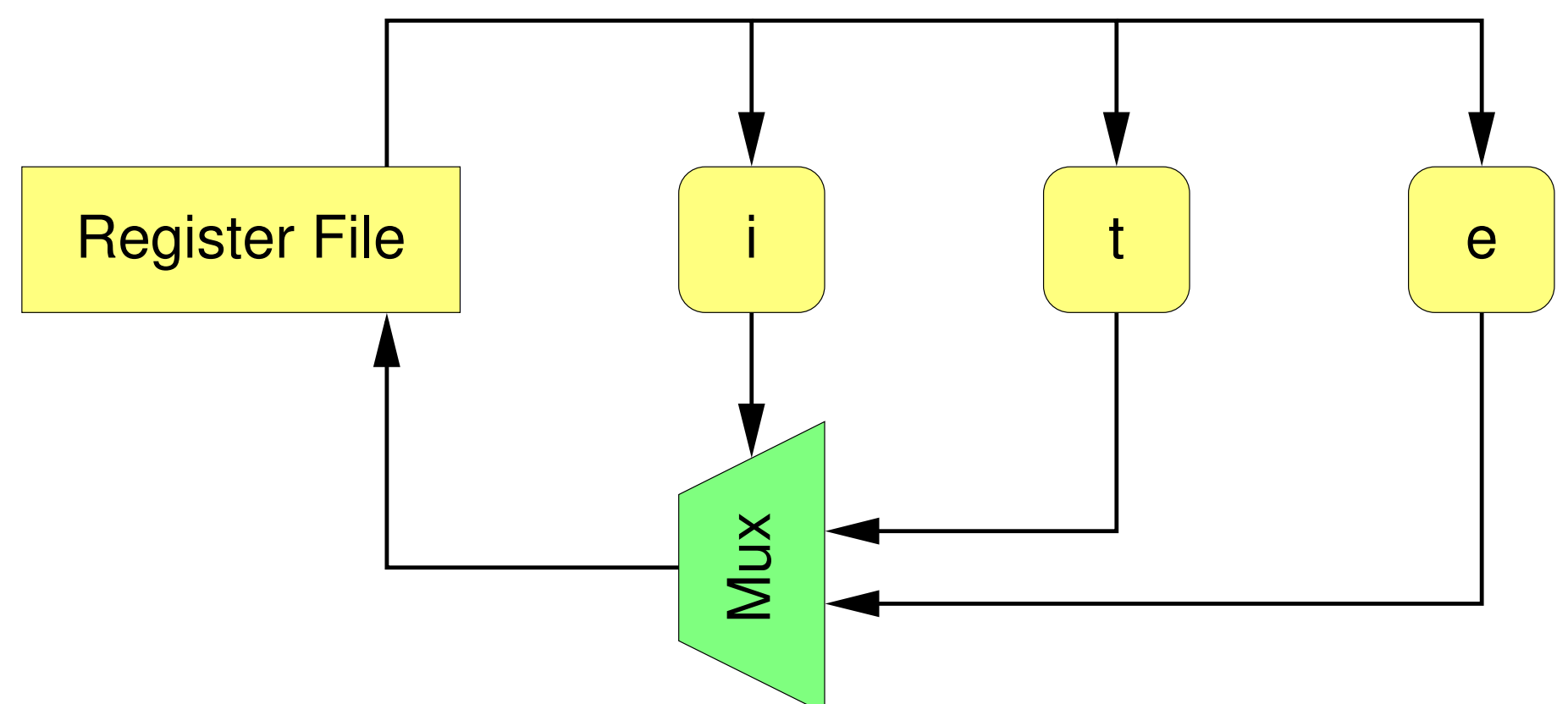
Flat Neighborhood Networks (FNNs)



Hardware Barrier Sync. & Aggregate Function Networks (AFNs - 1st was PAPERS)



Sparse FNNs (SFNNs)



Kentucky Architecture Nanocontrollers

Cluster Design Rules (Beowulf Design Rules at SourceForge)



| | Line (Data/Code) | Addr | Type |
|------|------------------|------|------|
| R0 | | | |
| R1 | | | |
| R2 | | | |
| | ... | | |
| Rn-1 | | | |

Cache-Registers (CRegs) and Line-Associative Registers (LARs)